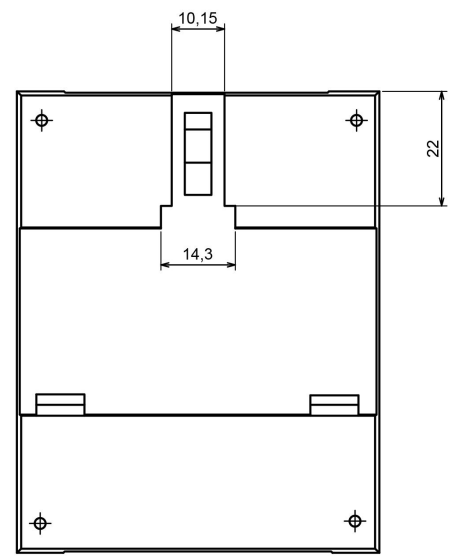
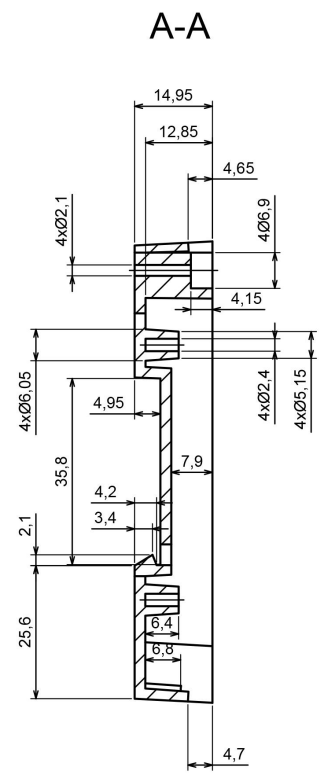
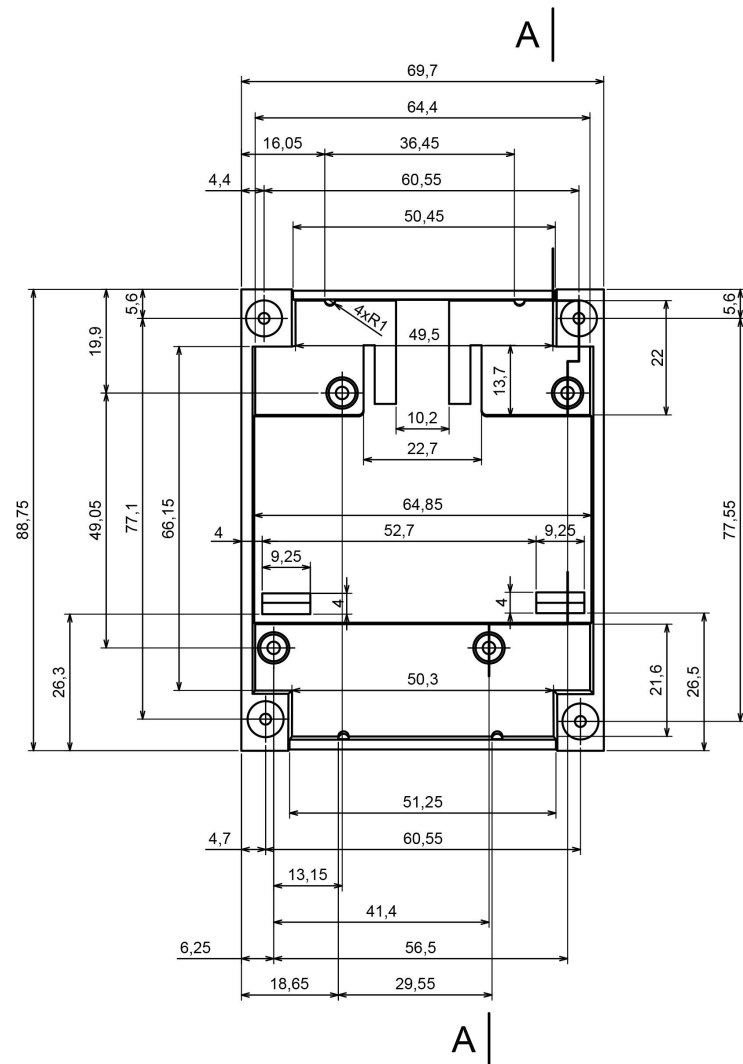
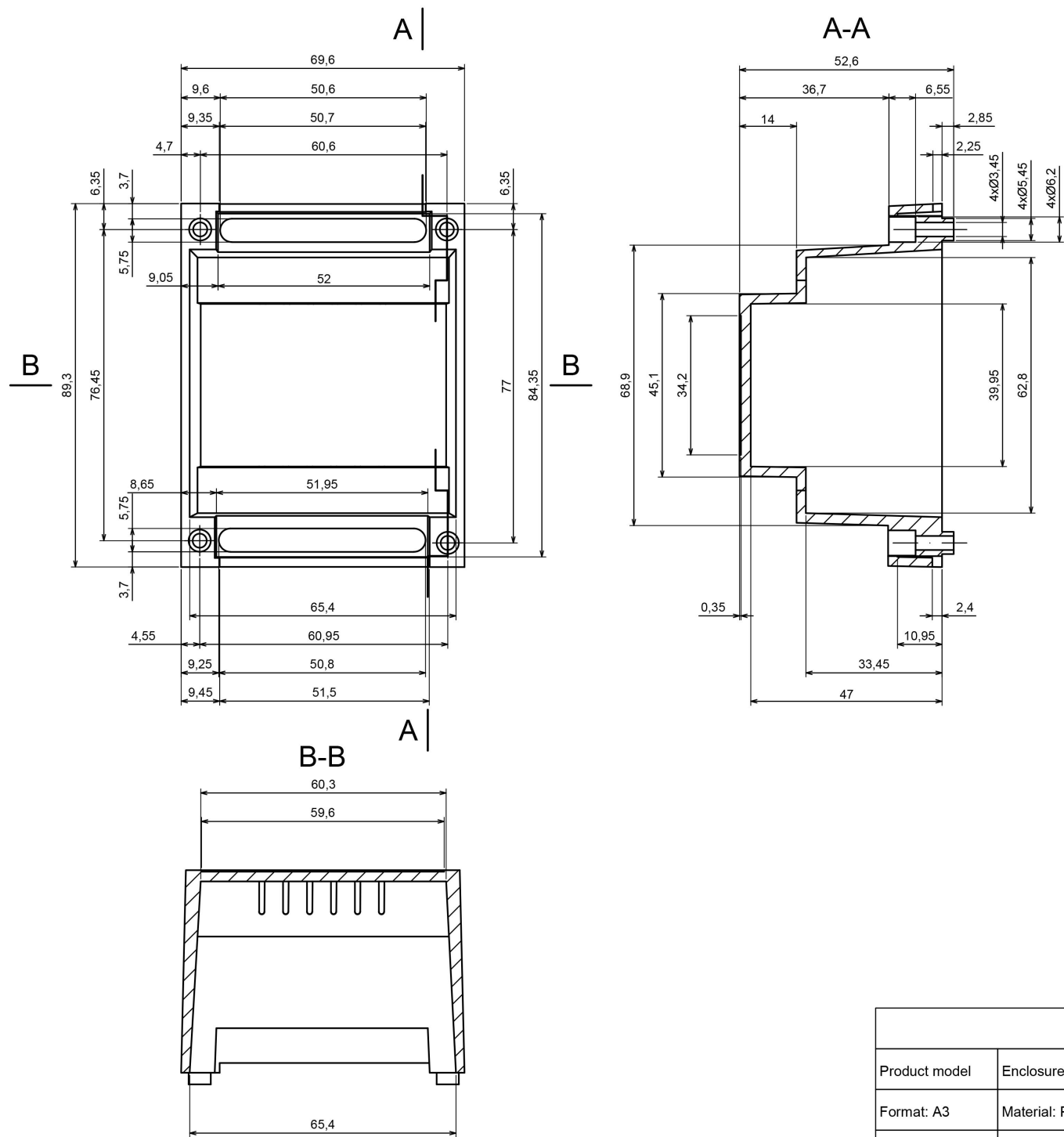


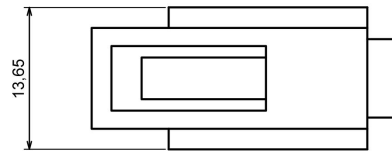
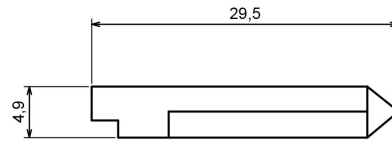
Product model		Enclosure Z100 - assembly	
Format: A3		Material: PS, ABS	
Scale 1:1		Tolerance: +/- 0.5	



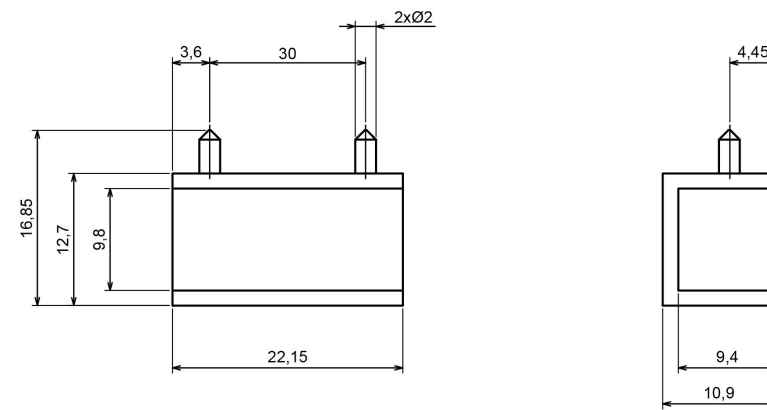
Product model	Enclosure Z100 - base	
Format: A3	Material: PS, ABS	
Scale 1:1	Tolerance: +/- 0.5	



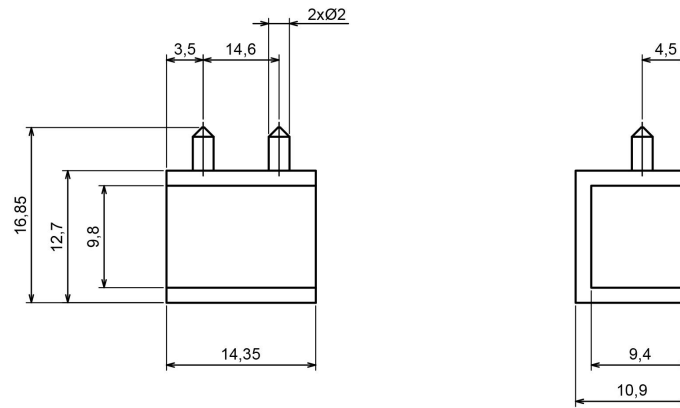
Product model	Enclosure Z100 - cover	
Format: A3	Material: PS, ABS	
Scale 1:1	Tolerance: +/- 0.5	



Product model		Enclosure Z100 - hook	
Format: A3		Material: PS, ABS	
Scale 2:1		Tolerance: +/- 0.5	



Product model	Enclosure Z100 - big plug	
Format: A3	Material: PS, ABS	
Scale 2:1	Tolerance: +/- 0.5	



Product model		Enclosure Z100 - small plug	
Format: A3	Material: PS, ABS		
Scale 2:1	Tolerance: +/- 0.5		